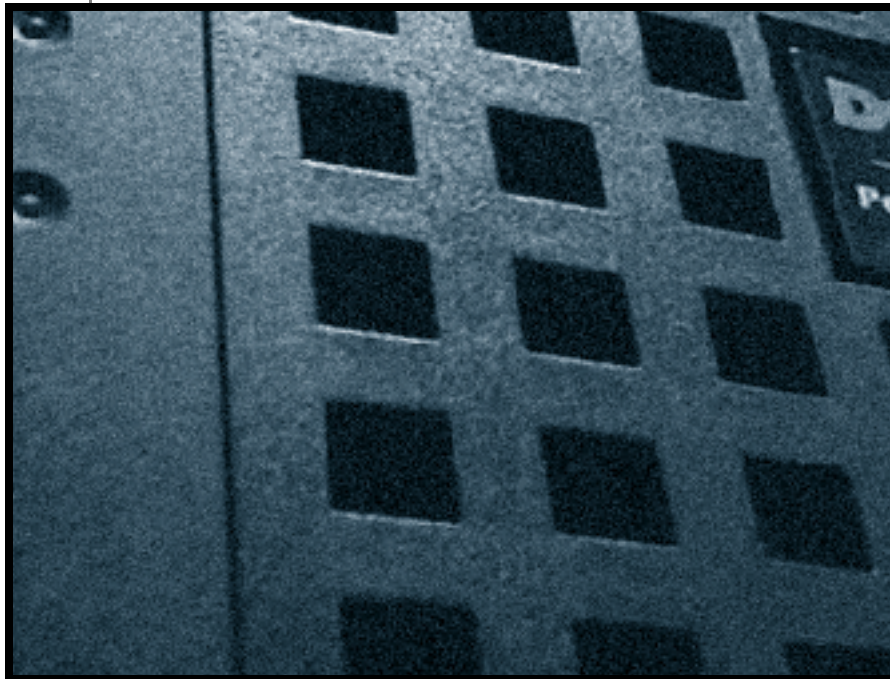


Dell™ PowerEdge™ 63xx Systems

INSTALLING A MICROPROCESSOR
OR TERMINATOR CARD



Notes, Notices, Cautions, and Warnings

Throughout this guide, blocks of text may be accompanied by an icon and printed in bold type or in italic type. These blocks are notes, notices, cautions, and warnings, and they are used as follows:



NOTE: A NOTE indicates important information that helps you make better use of your computer system.

NOTICE: A NOTICE indicates either potential damage to hardware or loss of data and tells you how to avoid the problem.



CAUTION: A CAUTION indicates a potentially hazardous situation which, if not avoided, may result in minor or moderate injury.



WARNING: A WARNING indicates a potentially hazardous situation which, if not avoided, could result in death or serious bodily injury.

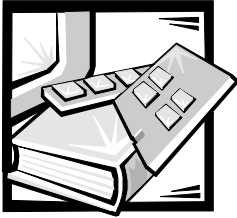
**Information in this document is subject to change without notice.
© 2000 Dell Computer Corporation. All rights reserved.**

Reproduction in any manner whatsoever without the written permission of Dell Computer Corporation is strictly forbidden.

Trademarks used in this text: *Dell*, the *DELL* logo, and *PowerEdge* are trademarks of Dell Computer Corporation.

Other trademarks and trade names may be used in this document to refer to either the entities claiming the marks and names or their products. Dell Computer Corporation disclaims any proprietary interest in trademarks and trade names other than its own.

February 2000 P/N 78VER Rev. A00



Dell™ PowerEdge™ 63xx Systems Installing a Microprocessor or Terminator Card



WARNING: The power supplies in your PowerEdge system may produce high voltages and energy hazards, which can cause bodily harm. Only trained service technicians are authorized to remove the computer cover and access any of the components inside the computer. For more information, see "Safety Instructions" in your system's *Installation and Troubleshooting Guide*.

This document updates information contained in your Dell PowerEdge system documentation. The guide-bracket assemblies, which hold the microprocessors or terminator cards, have been redesigned. The following sections describe how to remove or install a microprocessor or terminator card in a guide bracket assembly.

Removing a Microprocessor or Terminator Card

Each microprocessor is contained within a single-edge contact (SEC) cartridge and heat sink assembly. If your system has only one microprocessor, the remaining guide-bracket assembly connectors must contain terminator cards.

To remove a microprocessor or a terminator card, perform the following steps.



CAUTION: The SEC cartridge and heat sink assembly can get extremely hot during system operation. Be sure that the assembly has had sufficient time to cool before you touch it.



CAUTION: When handling the SEC cartridge and heat sink assembly, take care to avoid sharp edges on the heat sink.



WARNING: Before you perform this procedure, you must turn off the computer and disconnect it from its AC power source. For more information, see "Safety First—For You and Your Computer" in Chapter 7 in your system *Installation and Troubleshooting Guide*.

1. Turn off the system, including any attached peripherals, and disconnect the AC power cable from its power source.

NOTICE: See "Protecting Against Electrostatic Discharge" in the safety instructions at the front of your computer's *Installation and Troubleshooting Guide*.

2. Remove the computer cover.

See "Checking Inside the Computer" in your system's *Installation and Troubleshooting Guide* for more information.

3. Remove the cooling shroud.

See "Checking Inside the Computer" in your system's *Installation and Troubleshooting Guide* for more information.

4. Lift the latches on each end of the guide bracket assembly (see Figure 1). Pivot the retention clips away from the guide bracket assembly, then slide the SEC cartridge or terminator card out of the guide bracket assembly.

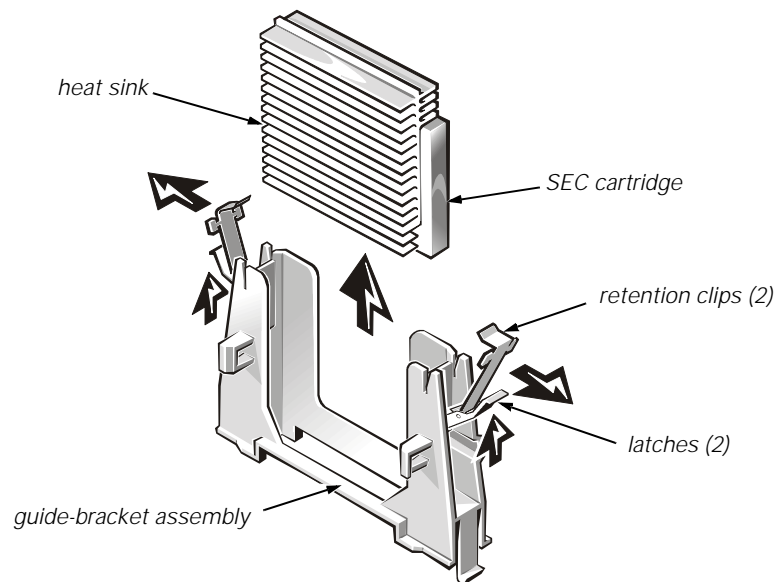


Figure 1. Removing a Microprocessor or Terminator Card

Installing a Microprocessor or Terminator Card

To install a microprocessor or terminator card, perform the following steps:

1. Slide the microprocessor or terminator card into the guide-bracket assembly until the edge connector on the SEC cartridge or terminator card is firmly seated in the connector on the system board.

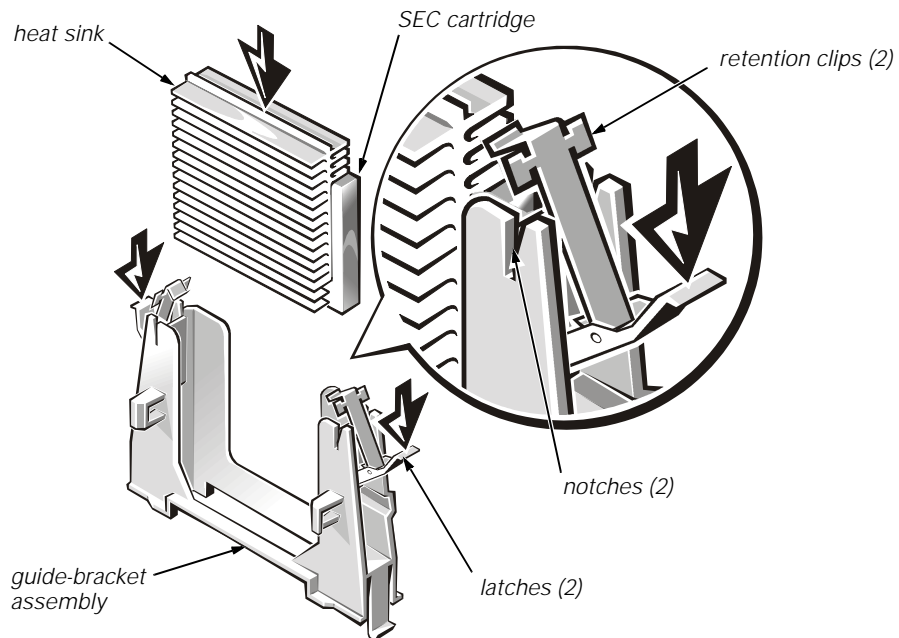


Figure 2. Installing a Microprocessor or Terminator Card

2. Place the retention clips on each end of the guide bracket in the notches on the ends of the guide bracket (see Figure 2), then close the two latches to secure the microprocessor or terminator card in the bracket.
3. Replace the cooling shroud and computer cover.

See "Checking Inside the Computer" in your system's *Installation and Troubleshooting Guide* for more information.

This completes the installation of your microprocessor or terminator card.



Printed in the U.S.A.

DELL™

78VER

P/N 78VER Rev. A00

www.dell.com