

## Dell™ Mobile Computing Station

The Dell Mobile Computing Station transports and charges twenty-four, 10" Latitude™ 2100 Netbook PCs and may include an optional wireless router for remote networking.

### FCC Compliance Statement - Managed Mobile Computing Station only

This Mobile Computing Station has been tested and found to comply with the limits for a Class A digital device, pursuant to Part 15 of the FCC rules. These limits are designed to provide reasonable protection against harmful interference when the equipment is operated in a commercial environment. This equipment generates, uses, and can radiate radio frequency energy and, if not installed and used according to the instructions, may cause harmful interference to radio communications. Operation of this device in a residential area is likely to cause harmful interference in which case the user will be required to correct the interference at their own expense.

Operation of this device is subject to the following two conditions: (1) this device may not cause harmful interference, and (2) this device must accept any interference received, including interference that may cause undesired operation.

FCC Caution: Changes or Modifications not expressly approved by Ergotron could void the user's authority to operate the equipment.

FCC Radiation Exposure Statement: This equipment complies with FCC radiation exposure limits set forth for an uncontrolled environment. End users must follow the specific operating instructions for satisfying RF exposure compliance. This equipment should not be co-located or operating in conjunction with any other antenna or transmitter. The minimum separation distance from the antenna to the general bystander is 7.9 inches (20 CM) to maintain compliance.

This Class A digital apparatus complies with Canadian ICES-003. / Cet appareil numérique de la classe A est conforme à la norme NMB-003 du Canada.

Contains FCC ID: Q87-WRV54400NV11  
IC ID: 3829A-WV54NV11



**NOTE:** Some devices may not be included if you did not order them.



**NOTE:** Refer to separate product guides for Netbooks, optional router and optional Ethernet switch.



### Hazard Symbols Review

These symbols alert users of a safety condition that demands attention. All Mobile Computing Station users should be able to recognize and understand the significance of the following Safety Hazards if encountered on the Mobile Computing Station or within Mobile Computing Station documentation. Children who are not able to recognize and respond appropriately to Safety Alerts should not use the Mobile Computing Station without adult supervision!

Symbol	Signal Word	Level of Hazard
	<b>NOTE</b>	A NOTE indicates important information that helps you make better use of your Mobile Computing Station.
	<b>CAUTION</b>	A CAUTION indicates either potential damage to hardware or loss of data and tells you how to avoid the problem.
	<b>WARNING</b>	A WARNING indicates either potential for property damage, personal injury, or death.
	<b>ELECTRICAL</b>	An ELECTRICAL indicates an impending electrical hazard which, if not avoided, may result in personal injury, fire and/or death.

August 2009

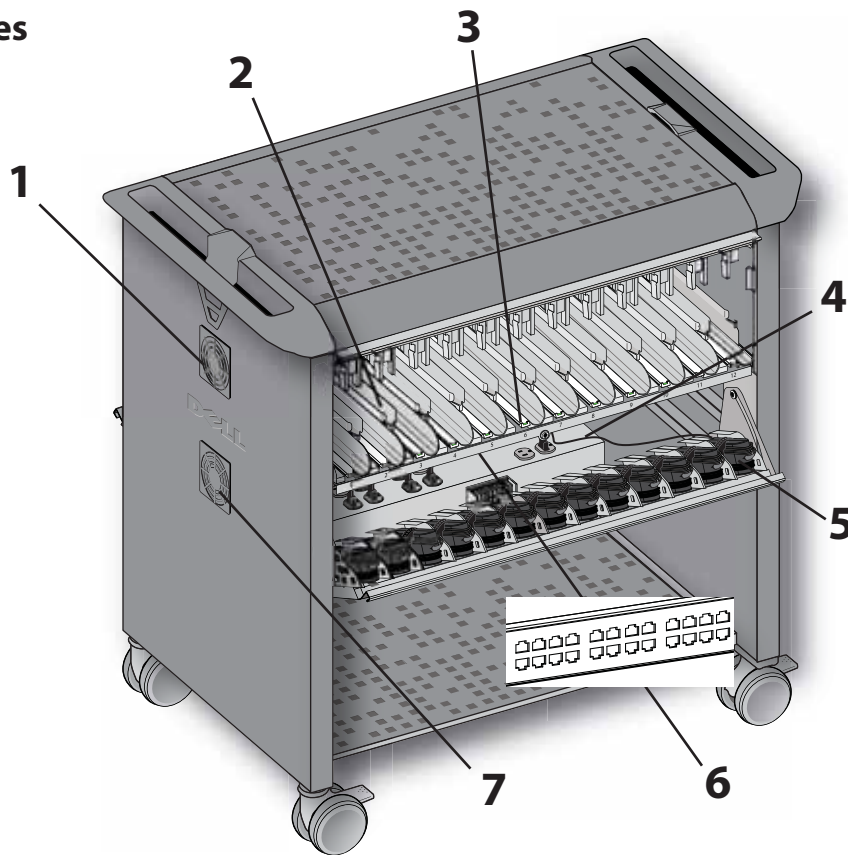


050JWWA01

FOR SERVICE CALL (800) 888-8458  
OR VISIT [www.ergotron.com/Dell](http://www.ergotron.com/Dell)

# Dell™ Mobile Computing Station

## Interior Features



### Upper Compartment

#### 1 Motorized Fan

- automatically-controlled fan operates in tandem with lower compartment fan

**CAUTION:** Do not block fans and vent openings. To prevent overheating, leave at least 5" (127 mm) clearance around fans and vents.

#### 2 Netbook Storage

- storage and simultaneous charging for twenty-four 10" Latitude™ 2100 Netbooks
- charge status of individual netbooks is visible when compartment is open

#### 3 Intuitive Docking

- dock profile matches Netbook to prevent user from inserting netbook the wrong way
- dock and un-dock using just one hand
- tab at front of each dock ensures positive seating of power and network connectors with netbooks
- green tab indicates netbook is seated properly for charging
- exclusive design accepts both standard and touch-screen Latitude™ 2100 netbooks, in 3 cell or 6 cell battery configurations

**CAUTION:** Electrically operated equipment. This is not a toy. To avoid risk of electric shock or fire the Mobile Computing Station should not be used without adult supervision.

### Lower Compartment

#### 4 Controller Box houses

- circuit breakers
- 24 outlets are factory connected to Netbook AC adapters
- 3 internal accessory outlets factory connected to:
  - 25th AC adapter
  - optional wireless router
  - optional Ethernet switch
- open (4th) internal outlet must not be used

**CAUTION:** Do not connect equipment to open outlet(s).

#### 5 AC Adapters

- 24 adapters factory connected to docks in upper compartment
- 25th adapter provides power distribution to Controller Box.

**CAUTION:** Only Dell, 90-watt adapters should be used in cradles.

#### 6 Optional Ethernet Switch

- 24 ports, factory connected
- allows remote network updates to docked Mobile Computing Station netbooks

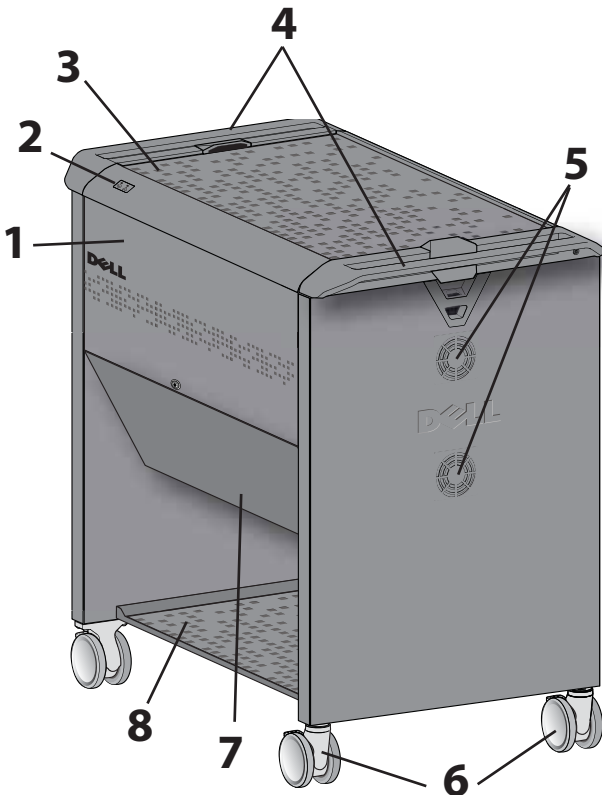
#### 7 Motorized Fan

- automatically-controlled fan operates in tandem with upper compartment fan

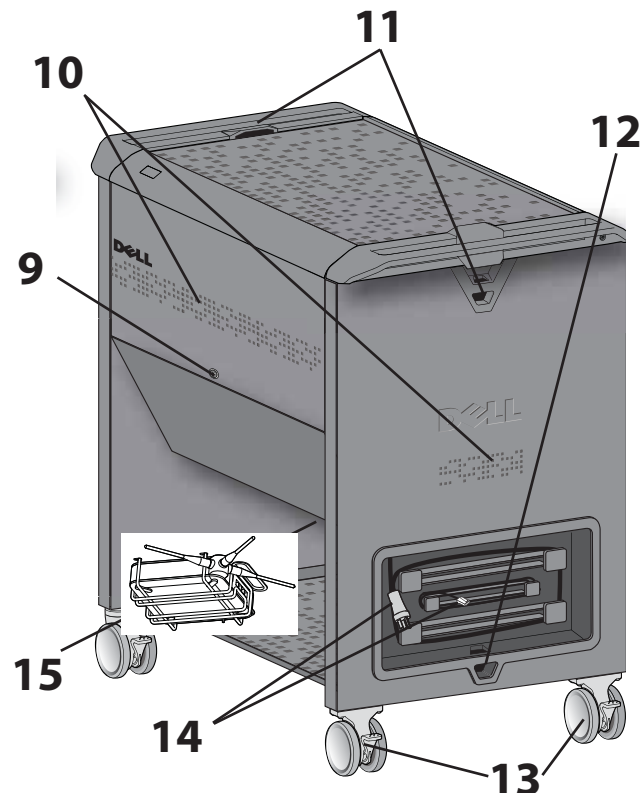
**CAUTION:** Do not block fans and vent openings. To prevent overheating, leave at least 5" (127 mm) clearance around fans and vents.

# Dell™ Mobile Computing Station

## Exterior Features



Front and Left Side View



Back and Right Side View

### 1 Retractable Doors (upper compartment)

- upper doors stow under work surface for unobstructed access to Netbooks without changing Mobile Computing Station footprint; when closed, upper doors overlap lower doors and conceal locks



**CAUTION:** Keep doors locked when Mobile Computing Station is unattended or in transit.

### 2 Power/Fault Status Indicator

- conveniently displays Mobile Computing Station fault and power indicators at work-top level

### 3 Work Surface with Anti-static Mat

- maximum weight capacity: 25 lbs (11.4 kg)

### 4 Ergonomic Handles

- positioned at each end of Mobile Computing Station for optimum comfort and maneuverability

### 5 Fan Guards

- allow air flow and offer protection from fan blades



**CAUTION:** Do not block fan or vent openings.

To prevent overheating, leave at least 5" (127 mm) clearance around fans and vents.

### 6 Rotating Front Casters

- 4 inch (101 mm) rotating casters for easy steering and moving over thresholds; casters can be locked to prevent rolling

### 7 Locking, Hinged Doors (lower compartment)

- when closed, AC Adapters and Controller Box are concealed

- Risk of Shock label on door alerts adults to prohibit children from opening lower compartment



**ELECTRICAL:** Always disconnect Mobile Computing Station power cord from wall outlet before opening lower compartment.

Do not allow children to open lower compartment.

### 8 Lower Storage Shelf with Anti-skid Mat

- maximum weight capacity: 25 lbs (11.4 kg)

### 9 Keyed Locks

- 4 locks: one on each upper compartment door, one on each lower compartment door
- all four locks open with same key (4 keys are provided)

### 10 Ventilation System

- vents on sides and back promote air flow, contents of compartments remain hidden from view

### 11 Theft Deterrent Loops

- heavy-duty loops are located near each handle

### 12 Mobile Computing Station Security

- heavy-duty loop at the recessed cable management area to anchor Mobile Computing Station to the wall or floor

### 13 Fixed Rear Casters

- 4 inch (101 mm) fixed casters for easy maneuvering
- casters can be locked to prevent rolling

### 14 External Cable Management Bay

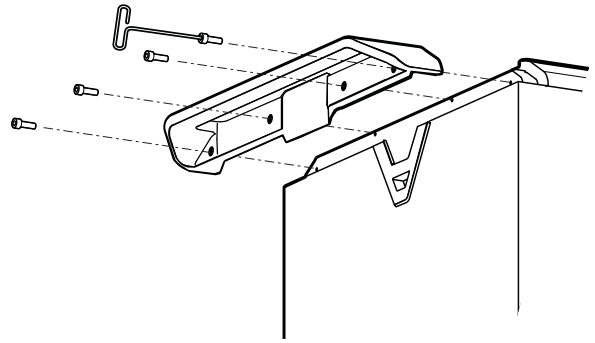
- includes 8 foot (2.4 m) power cord and 10 foot (3 m) Ethernet cable
- keeps Mobile Computing Station power cord and Ethernet cable organized, protected and at-hand

### 15 Optional Wireless Router

- tucked beneath lower compartment for easy access
- wire guard protects the router from damage

# Set-Up and Go

**CAUTION:** Observe all safety precautions related to Mobile Computing Station operation and maintenance included in this reference guide!



## 1 Attach left and right handles and caps

Eight screws (four at each handle) and a hex tool have been provided.

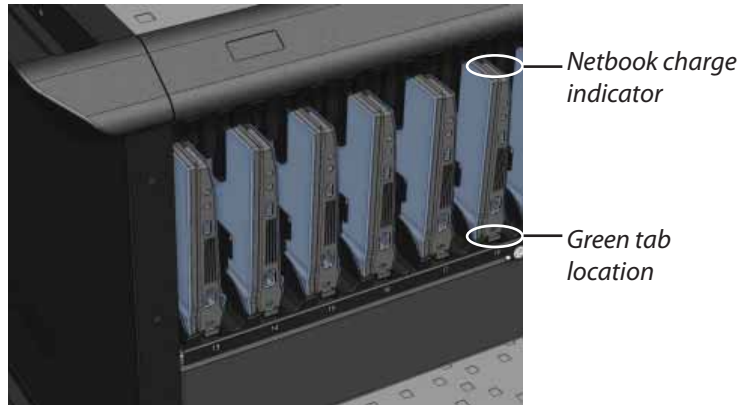
## 2 Netbook Docking

Open top compartments: unlock door, lift door up and out (to clear holding tab), allow door to drop slightly, then lift up and push under work top.

Insert netbooks into docks with front edge of netbook at top and power /Ethernet connectors leading into station.

The green tab at the front of the dock will be visible if the netbook has been properly seated.

Charging activity can be viewed at the top edge of each netbook when docked.



**CAUTION:** Make sure area is clear before closing upper door.

**CAUTION:** There is no on/off switch on this equipment; the AC power cord is the only power disconnect. The socket outlet should be easily accessible and should be installed near the equipment.

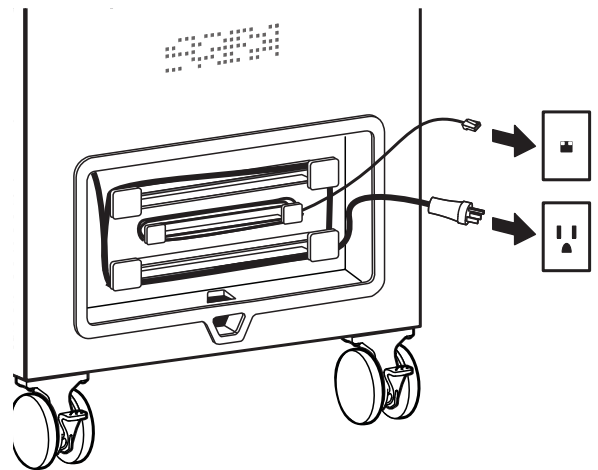
## 3 First Time Battery Charge

Before using the netbooks for the first time or after spending time in storage, ensure netbooks have a full (100%) charge.

Connect power cord to a dedicated circuit, (one not shared with other devices).

Verify that the blue light on the Power/Fault Status Indicator at the work-top is lit.

Allow netbooks to charge for at least 2-3 hours before removing for first-time use.



## Monitoring Netbook Power

The Power/Fault Status Indicator lights at the top of the Mobile Computing Station communicate the following conditions.

### Power/Fault Status Indicator

### Signal

### Meaning



Blue light - Solid

Power "ON"



Amber light - Flashing

Maximum temperature has been exceeded

\* When recommended temperature has been exceeded, power to Netbooks is terminated until the temperature falls into an acceptable operating range, at which time charging resumes.

**NOTE:** Charge status of individual netbooks can be seen directly on netbooks when docked and the upper compartment doors are open.

# Troubleshooting


Problem	Possible Cause	Solution
Netbook(s) not charging.	Wall power may not be reaching the Mobile Computing Station Netbooks due to <ul style="list-style-type: none"> <li>• unplugged power cord</li> <li>• improper docking of Netbook(s)</li> <li>• tripped electrical circuit</li> </ul>	<ul style="list-style-type: none"> <li>• Ensure that power cord is plugged into a wall outlet.</li> <li>• Verify that Netbook is docked properly: the green tab at the edge of the dock should be visible.</li> <li>• Check facility circuit breakers.</li> <li>• If another electrical device is sharing the same circuit as the Mobile Computing Station, unplug the other device.</li> </ul>
Power/Fault Status Amber Indicator light is flashing.	Indicates possible overheating.	<ul style="list-style-type: none"> <li>• Ensure areas around the fans and vents are unobstructed.</li> <li>• Take measures to reduce room temperature below 86° F (30° C).</li> <li>• Power cord should remain plugged-in so that the fans continue to operate. Once the temperature has dropped to a safe level, charging will resume.</li> </ul>

ENGLISH

For problems not addressed above, please Contact Ergotron, Inc., at (800) 888-8458  
OR VISIT [www.ergotron.com/Dell](http://www.ergotron.com/Dell)

## Service & Warranty

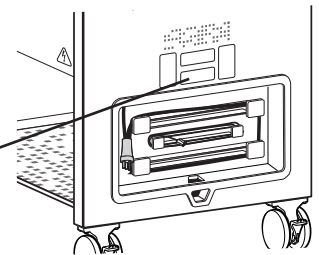
FOR SERVICE ON DELL Mobile Computing Station  
CALL (800) 888-8458 OR VISIT [www.ergotron.com/Dell](http://www.ergotron.com/Dell)

 **NOTE:** When contacting customer service, please reference the serial number located above the external cable management bay.

Serial Number: \_\_\_\_\_



Serial Number is required for warranty entitlement.



## Specifications

### Power System

120 V~, 12 A, 60 Hz

### Mobile Computing Station Physical Dimensions

Height	38.7" (982.98 mm)
Length	40" (1016 mm)
Width	24" (609.6 mm)
Weight (without Netbooks)	230 lbs (104 kg)
Weight Capacity	
Top Surface	25 lbs (11.34 kg)
Lower Shelf	25 lbs (11.34 kg)
Tip Test/Angle	10°

### AC Adapters (25)

Dell Part Number: UU572

### Optional Wireless Router

Linksys WRVS4400N Wireless-N Gigabit Security Router with VPN

### Optional Ethernet Port Switch -

Cisco SR224G, 24 port, 10/100, 2-Port Gigabit Switch + 2 mini-GBIC

### Environmental

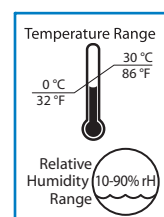
Temperature range:

Operating	32° to 86°F (0° to 30°C)
Storage	-40° to 149°F (-40° to 65°C)

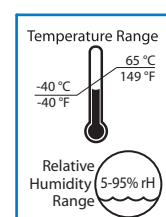
Relative humidity (maximum):

Operating	10–90% (non condensing)
Storage	5–95% (non condensing)

Altitude (maximum): 6,562 ft (2000 m)



Operational



Storage

# Ergonomics and Safety Alerts

## Moving Mobile Computing Station

The Mobile Computing Station is designed to be used indoors only. **Failure to observe the following safety notices may result in serious personal injury or equipment damage.**

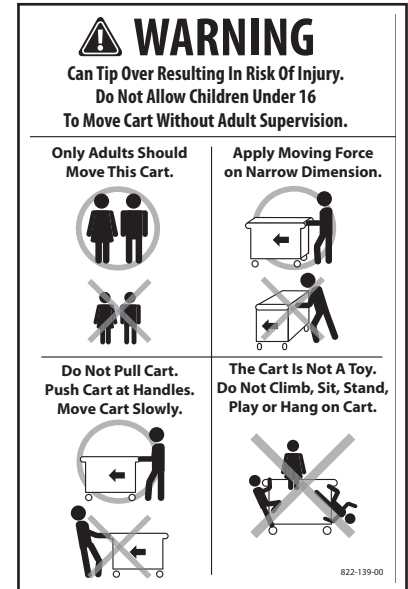
- WARNING:** Before moving Mobile Computing Station:
1. Disconnect power and Ethernet cords from wall
  2. Make sure cords are wrapped and secure
  3. Close and lock upper and lower compartment doors
  4. Remove items from the top surface and lower shelf
  5. Unlock casters
  6. Push (do not pull) Mobile Computing Station from back (where cable management bay is located) for optimum maneuverability and to prevent muscle strain
  7. Do not move Mobile Computing Station across rough or uneven or irregular surfaces such as gravel

**WARNING:** Do not allow children to move Mobile Computing Station unless supervised by an adult who is familiar with all aspects of its operation.

**WARNING:** Do not sit, stand or climb on Mobile Computing Station. Maximum weight capacity of top surface and lower shelf is 25 lbs (11.4 kg).

**CAUTION:** Do not use Mobile Computing Station to transport or store equipment other than noted in this guide.

**WARNING:** Do not lift Mobile Computing Station from bottom.



ENGLISH

## Parking Mobile Computing Station

The Mobile Computing Station can be anchored using the heavy duty security loop located at the back of the cart (near cable management bay.) **Failure to observe the following safety notices may result in serious personal injury or equipment damage.**

**CAUTION:** Do Not block fans and vent openings. To prevent overheating, leave at least 5" (127 mm) clearance around fans and vents.

**WARNING:** Do not park the Mobile Computing Station in areas of heavy traffic.

**WARNING:** Do not run cables/cords through doorways, holes in ceilings, wall or floors.

**WARNING:** Do not run cables/cords across hallways, classrooms or other areas where they will be walked on.

**WARNING:** Do not leave Mobile Computing Station unattended in areas where children have access.

**WARNING:** Keep Mobile Computing Station doors closed and locked whenever it is unattended or parked for charging or storage.

**WARNING:** Do not place heavy objects on the Mobile Computing Station. Maximum weight capacity of top surface and lower shelf is 25 lbs (11.4 kg).

**WARNING:** Do not use the Mobile Computing Station to store liquids or cleaning supplies.

**ELECTRICAL:** Do not place Mobile Computing Station in close proximity to flammable liquids or gases.

**ELECTRICAL:** Using an incompatible cable or improperly connecting the cable to the Controller Box may cause fire or equipment damage.


## Cleaning and Maintenance


The Mobile Computing Station should be inspected for damage, dirt and debris on a regular basis. **Failure to observe the following safety notices may result in serious personal injury or equipment damage.**

All paints and plastic Mobile Computing Station components will withstand cleaning by most commonly used, diluted, non-abrasive solutions such as quaternary ammonia compounds, ammonia enzyme cleaners, bleach or alcohol solutions. It is recommended that any cleaning solution be tested on a small, inconspicuous area to ensure surface is not harmed.


- Pen and permanent and dry erase markers can be removed with 91% isopropyl alcohol and a soft cloth.
- Iodine stains can be removed with commonly used cleaners and a soft cloth.
- Never use steel wool or other abrasive materials that will damage the surface finish.


# Ergonomics and Safety Alerts


 **ELECTRICAL:** To avoid risk of electric shock, do not expose electrical components to water, cleaning solutions or other potentially corrosive liquids or substances.


 **ELECTRICAL:** Do not immerse Mobile Computing Station or Mobile Computing Station components in liquid or allow liquids to flow into the Mobile Computing Station. Wipe all cleaners off surface immediately using a damp cloth. Thoroughly dry surface after cleaning.


 **ELECTRICAL:** Do not use flammable cleaners on Mobile Computing Station surfaces due to close proximity of electrical power and equipment.

 **CAUTION:** Adjustment, Service, Replacement - DO NOT attempt to adjust, service or replace any part of the Mobile Computing Station unless directed to do so through Ergotron-approved documentation (i.e. installation instructions). Only Ergotron, Inc. or an Ergotron-certified entity may adjust, service or replace Mobile Computing Station components. If any component on the Mobile Computing Station is missing or damaged, the Mobile Computing Station must not be used, contact Ergotron immediately to request a replacement part.

 **CAUTION:** Casters - Check casters periodically to make sure they are clean and free of debris that would prevent smooth travel. Avoid moving Mobile Computing Station across uneven, dirty or damaged surfaces.


 **CAUTION:** Customer Equipment- Make sure equipment is balanced and mounted securely to Mobile Computing Station. Contact Ergotron for information about moving Mobile Computing Station components.


 **CAUTION:** Mobile Computing Station must be periodically inspected by an adult for damage, and any broken parts replaced as necessary. If a child notices any broken or damaged parts, this should be reported to an adult so that the damaged parts can be replaced.


 **NOTE:** Cables - Keep cables neatly organized on the Mobile Computing Station (a variety of solutions are provided with your Mobile Computing Station for this purpose). Excess cables should be routed away from moving components with cable clips. Contact Ergotron for more information.


# Power Cords and Equipment Cables


There are specific risks associated with the use of equipment having power cords. It is particularly important to be aware and avoid these risks when the Mobile Computing Station is located in close proximity to children. **Failure to observe the following safety notices can result in fire or death by electric shock.**


 **ELECTRICAL:** Always disconnect Mobile Computing Station power cord from wall outlet before opening lower compartment. Do not allow children to open lower compartment.

 **CAUTION:** Double Pole / Neutral Fusing.


 **ELECTRICAL:** Ethernet port not suitable for connection to circuits used outside the building and subject to lightning or power faults.

 **ELECTRICAL:** Inspect cord thoroughly before each use. DO NOT USE IF DAMAGED.

 **ELECTRICAL:** Do not plug more than specified number of watts into power system.


 **ELECTRICAL:** Do not run cord through doorways, holes in ceilings, walls or floors.


 **ELECTRICAL:** Insert plug completely into outlet.


 **ELECTRICAL:** Do not remove, bend or modify any metal prongs or pins of cord.

 **ELECTRICAL:** Do not substitute supplied AC Adapters.


 **ELECTRICAL:** Do not use excessive force to make connections.


 **ELECTRICAL:** Keep away from water. DO NOT USE WHEN WET.


 **ELECTRICAL:** Keep children away from cord.

 **ELECTRICAL:** Keep children away from internal Mobile Computing Station components.

 **ELECTRICAL:** Do not plug cord into an extension cord.

 **ELECTRICAL:** Avoid overheating. Uncoil cord and do not cover it with any material.

 **ELECTRICAL:** Do not drive, drag or place objects over cord. Do not walk on cord.

 **ELECTRICAL:** Grasp plug to remove from outlet. Do not unplug by pulling on cord.



 **DANGER!**  
Risk of Electric Shock

**DANGER!** ELECTRICAL CORDS CAN BE HAZARDOUS  
Misuse Can Result in FIRE or DEATH by ELECTRICAL SHOCK.

### Warranty

3 years for mechanical components and functions / 1 year for electrical components and functions. All 3rd party components (Optional Ethernet Switch, Optional Wireless Router, Dell Power Cables, and AC Adapters) will follow the warranty as defined by the manufacturer.

**CUSTOM SOLUTION FOR DELL BY ERGOTRON  
FOR SERVICE CALL (800) 888-8458  
OR VISIT [www.ergotron.com/Dell](http://www.ergotron.com/Dell)**



© 2009 Ergotron, Inc.  
All rights reserved.

While Ergotron, Inc. makes every effort to provide accurate and complete information on the installation and use of its products, it will not be held liable for any editorial errors or omissions (including those made in the process of translation from English to another language), or for incidental, special or consequential damages of any nature resulting from furnishing this instruction and performance of equipment in connection with this instruction. Ergotron, Inc. reserves the right to make changes in the product design and/or product documentation without notification to its users. For the most current product information, or to know if this document is available in languages other than those herein, please contact Ergotron. No part of this publication may be reproduced, stored in a retrieval system, or transmitted in any form or by any means, electronic, mechanical, photocopying, recording or otherwise without the prior written consent of Ergotron, Inc., 1181 Trapp Road, Eagan, Minnesota, 55121, USA Patents Pending and Patented U.S. & Foreign. Ergotron is a registered trademark of Ergotron, Inc.

## Station de travail mobile Dell<sup>MC</sup>

La station de travail mobile de Dell transporte et charge vingt-quatre ordinateurs portables 10" Latitude<sup>MC</sup> 2100 et peut inclure un routeur sans fil facultatif pour la mise en réseau à distance.

Déclaration de conformité avec la FCC – seulement pour une station de travail mobile gérée Cette station de travail mobile a été testée et trouvée conforme avec les limitations pour un équipement électronique de Classe A, en accord avec la Partie 15 des règlements de la FCC. Ces limitations sont prévues pour donner une protection raisonnable contre des interférences néfastes lorsque l'équipement fonctionne dans un environnement commercial. Cet équipement génère, utilise, et peut transmettre de l'énergie en fréquence radio et, s'il n'est pas installé et utilisé conformément aux instructions, il peut engendrer des interférences néfastes pour les communications radio. L'usage de cet appareil dans une zone résidentielle peut engendrer des interférences néfastes, auquel cas l'utilisateur devra corriger les interférences à ses propres frais. Le fonctionnement de cet équipement est sujet aux deux conditions suivantes : (1) cet équipement ne doit pas causer d'interférences néfastes, et (2) cet équipement doit accepter toute interférence reçue, notamment toute interférence pouvant causer un résultat non désiré. Avertissement de la FCC : Les changements ou modifications non expressément approuvés par Ergotron peuvent annuler la permission donnée à l'utilisateur d'opérer cet équipement. Déclaration d'exposition aux radiations de la FCC : Cet équipement est conforme aux limites FCC d'exposition aux radiations applicables pour un environnement non contrôlé. L'utilisateur final doit se conformer aux instructions d'utilisation spécifiques pour satisfaire au respect des expositions aux fréquences radio. Cet équipement ne doit pas être co-localisé ou opéré conjointement avec tout autre antenne ou transmetteur. La distance de séparation minimale entre l'antenne et une quelconque personne est de 7,9 pouces (20 cm) pour respecter la norme. This Class A digital apparatus complies with Canadian ICES-003. / Cet appareil numérique de la classe A est conforme à la norme NMB-003 du Canada.  
Peut contenir FCC ID : Q87-WRV54400NV11  
IC ID : 3829A-WVS4NV11



FRANÇAIS







**NOTE :** Certains équipements peuvent ne pas être inclus si vous ne les avez pas commandés.



**NOTE :** Se référer aux guides de produit individuels pour les netbooks, le routeur facultatif et pour le commutateur Ethernet facultatif.

### Revue des symboles de danger

Ces symboles alertent les utilisateurs d'un problème de sécurité qui demande leur attention. Tous les utilisateurs de station de travail mobile doivent être capable de reconnaître et comprendre le sens des dangers pour la sécurité suivants s'ils les rencontrent sur la station de travail mobile ou dans la documentation de leur station de travail mobile. Les enfants qui ne sont pas capables de reconnaître les alertes de sécurité et d'y répondre adéquatement ne doivent pas utiliser la station de travail mobile sans la surveillance d'un adulte!

Symbole	Signal Mot	Niveau de danger
	<b>NOTE</b>	Un symbole NOTE indique de l'information importante qui vous aide à faire un meilleur usage de votre station de travail mobile.
	<b>ATTENTION</b>	Un symbole ATTENTION indique soit un dommage potentiel au matériel ou une perte de données et vous indique comment éviter le problème.
	<b>AVERTISSEMENT</b>	Un symbole AVERTISSEMENT indique un potentiel de dommage matériel, de blessure corporelle ou de mort.
	<b>ÉLECTRIQUE</b>	Un symbole ÉLECTRIQUE indique un danger électrique imminent qui, s'il n'est pas évité, peut provoquer une blessure corporelle, un incendie et/ou la mort.

August 2009

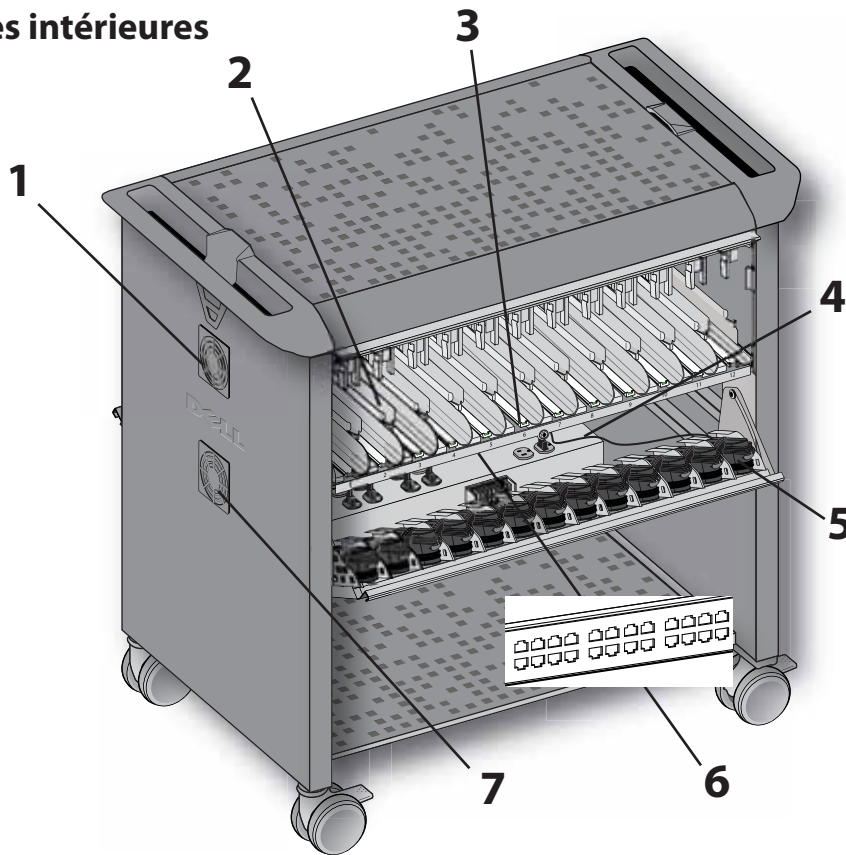


050JwWA01

POUR TOUT SERVICE APRÈS-VENTE APPELER AU  
(800) 888-8458  
OU CONSULTER [www.ergotron.com/Dell](http://www.ergotron.com/Dell)

# Station de travail mobile Dell<sup>MC</sup>

## Caractéristiques intérieures



### Compartiment supérieur

#### 1 Ventilateur motorisé

- le ventilateur contrôlé automatiquement fonctionne en tandem avec le ventilateur du compartiment inférieur

**ATTENTION :** Ne pas bloquer les ouvertures de prise d'air ou de ventilation.

Pour prévenir la surchauffe, laisser au moins 5" (127 mm) de jeu autour des ouvertures de prise d'air ou de ventilation.

#### 2 Entreposage des netbooks

- entreposage et chargement simultané de vingt-quatre netbooks Latitude<sup>MC</sup> 2100 de 10"
- le statut de charge de chacun des netbooks est visible quand le compartiment est ouvert

#### 3 Accueil intuitif

- le profil de la station d'accueil correspond au netbook pour empêcher l'utilisateur d'insérer le netbook de manière incorrecte
- insérer et retirer avec une seule main
- une languette située à l'avant de chaque station garantit un lien positif entre les branchements d'alimentation et de réseau et les netbooks
- une languette verte indique que le netbook est bien inséré pour la recharge
- un design exclusif accepte à la fois les netbooks Latitude<sup>MC</sup> 2100 standards et ceux avec écrans tactiles, en configurations de piles à 3 ou 6 cellules

**ATTENTION :** Équipement fonctionnant à l'électricité. Ceci n'est pas un jouet.

Pour éviter les risques de chocs électriques et d'incendie, la station de travail mobile ne doit pas être utilisée sans la surveillance d'un adulte.

### Compartiment inférieur

#### 4 boîtiers de contrôle d'alimentation contenant

- disjoncteurs
- 24 sorties sont connectées à l'usine aux adaptateurs secteur des Netbooks
- 3 sorties pour accessoires internes sont connectées à l'usine à :
  - 25e adaptateur secteur
  - routeur sans fil facultatif
  - commutateur Ethernet facultatif
- la sortie interne libre (4e) ne doit pas être utilisée

**ATTENTION :** Ne pas brancher d'équipement aux sorties libres.

#### 5 Adaptateurs secteur

- 24 adaptateurs connectés à l'usine aux stations d'accueil dans le compartiment supérieur.
- Le 25e adaptateur alimente le boîtier de contrôle.

**ATTENTION :** Seuls des adaptateurs Dell de 90 watts doivent être utilisés dans les socles.

#### 6 Commutateur Ethernet facultatif

- 24 ports, connectés à l'usine
- permet la mise à jour à distance aux netbooks placés dans les stations d'accueil de la station de travail mobile

#### 7 Ventilateur motorisé

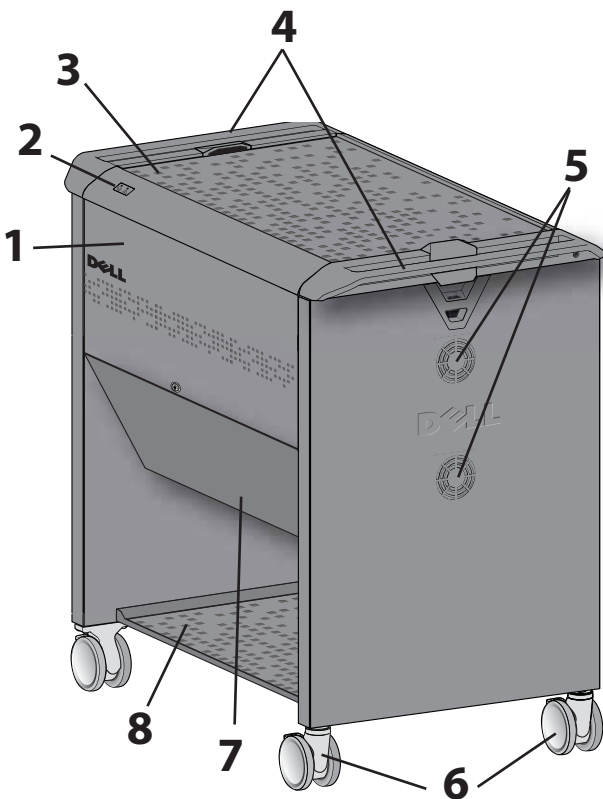
- le ventilateur contrôlé automatiquement fonctionne en tandem avec le ventilateur du compartiment supérieur

**ATTENTION :** Ne pas bloquer les ouvertures de prise d'air ou de ventilation.

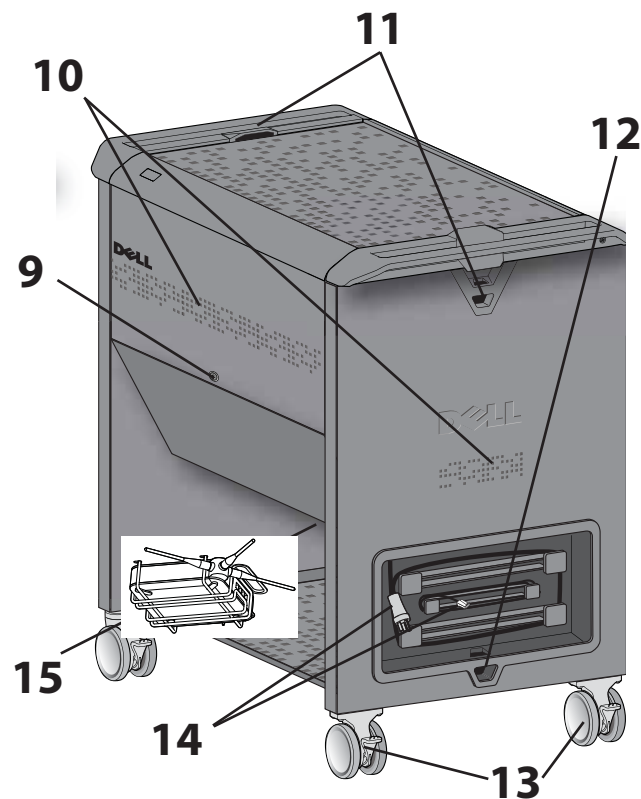
Pour prévenir la surchauffe, laisser au moins 5" (127 mm) de jeu autour des ouvertures de prise d'air ou de ventilation.

# Station de travail mobile Dell<sup>MC</sup>

## Caractéristiques extérieures



Vue du devant et du côté gauche



Vue de l'arrière et du côté droit

### 1 Portes escamotables (compartiment supérieur)

- les portes supérieures se remettent sous la surface de travail pour vous offrir un accès non obstrué aux netbooks sans changer les dimensions au sol de la station de travail mobile, Lorsqu'elles sont fermées, les portes supérieures recouvrent les portes inférieures et cachent les serrures.

**ATTENTION :** Garder les portes verrouillées lorsque la station de travail mobile est sans surveillance ou en déplacement.

### 2 Indicateur d'alimentation et de panne

- affiche commodément les indicateurs de panne et d'alimentation de la station de travail mobile au niveau de la surface de travail supérieure

### 3 Surface de travail avec tapis antistatique

- capacité maximale de charge de 25 lb (11,4 kg)

### 4 Poignées ergonomiques

- placées à chaque extrémité de la station de travail mobile pour un maximum de confort et de manœuvrabilité

### 5 Protecteurs de ventilateur

- permettent le déplacement d'air et protègent contre les pales de ventilateur

**ATTENTION :** Ne pas bloquer les ouvertures de prise d'air ou de ventilation. Pour prévenir la surchauffe, laisser au moins 5" (127 mm) de jeu autour des ouvertures de prise d'air ou de ventilation.

### 6 Roulettes rotatives à l'avant

- des roulettes rotatives de 4 pouces (101 mm) pour faciliter les virages et les passages par dessus les seuils de porte; les roulettes peuvent être verrouillées pour empêcher le roulement

### 7 Portes à charnières verrouillables (compartiment inférieur)

- lorsqu'elles sont fermées, elles cachent les adaptateurs secteur et l'unité de contrôle de l'alimentation
- Des étiquettes de risques de choc électrique sur les portes indiquent aux adultes d'empêcher les enfants d'ouvrir le compartiment inférieur.

**ÉLECTRICITÉ :** Toujours débrancher le cordon d'alimentation de la station de travail mobile de la prise murale avant d'ouvrir le compartiment inférieur. Ne laissez aucun enfant ouvrir le compartiment inférieur.

### 8 Étagère de rangement inférieure avec tapis anti-dérapage

- capacité maximale de charge de 25 lb (11,4 kg)

### 9 Serrures avec clés

- 4 serrures : une sur chaque porte du compartiment supérieur, une sur chaque porte du compartiment inférieur
- les quatre portes s'ouvrent avec la même clé (4 clés sont fournies)

### 10 Système de ventilation

- les entrées d'air sur les côtés et à l'arrière permettent la circulation d'air, le contenu demeure hors de la vue.

### 11 Crochets anti-vol

- de solides boucles sont situées près de chaque poignée

### 12 Sécurité de la station de travail mobile

- de solides boucles dans la zone encastrée de gestion des câbles pour ancrer la station de travail mobile au mur ou au plancher

### 13 Roulettes arrière fixes

- Des roulettes fixes de 4 pouces (101 mm) pour un déplacement facile
- les roulettes peuvent être barrées pour empêcher de roulement

### 14 Baie de gestion des câbles extérieurs

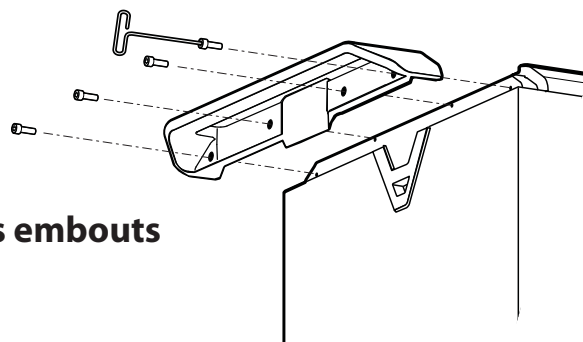
- avec un cordon d'alimentation de 8 pieds (2,4 m) et un câble Ethernet de 10 pieds (3 m)
- garde le cordon d'alimentation et le câble Ethernet de la station de travail mobile en ordre, protégés et à portée de la main

### 15 Routeur sans fil facultatif

- placé sous le compartiment inférieur pour un accès facile
- cage en fil pour protéger le routeur des dommages

# Installer et démarrer

**ATTENTION :** Observer toutes les précautions de sécurité en ce qui a trait au fonctionnement et l'entretien de la station de travail mobile indiquées dans ce guide de référence!



## 1 Attacher les poignées gauche et droite et les embouts

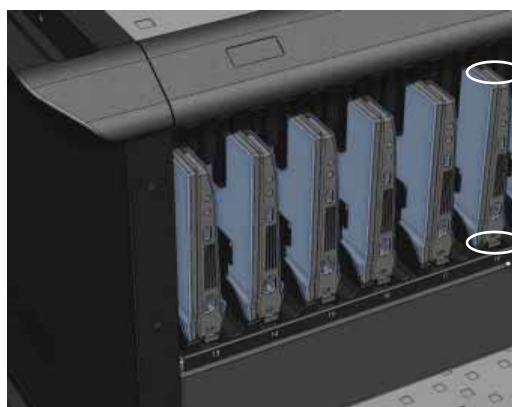
Huit vis (quatre à chaque poignée) et une clé hexagonale sont fournies.

## 2 Accueil du netbook

Ouvrir le compartiment supérieur : déverrouiller la porte, lever la porte vers le haut et l'extérieur (pour éviter les languettes de rétention), laisser la porte se baisser légèrement, lever ensuite vers le haut et pousser sous la surface de travail. Insérer les netbooks dans les stations d'accueil avec le bord avant des netbooks sur le dessus et les connecteurs d'alimentation et Ethernet en premier dans la station.

La languette verte située à l'avant de la station d'accueil sera visible si le netbook a bien été inséré.

L'activité de recharge est visible sur l'arête supérieure de chaque netbook lorsque celui-ci est dans sa station d'accueil.



**AVERTISSEMENT :** Danger de coincement. S'assurer que la zone est libre avant de fermer la porte supérieure.

**ATTENTION :** Il n'y a pas de commutateur marche/arrêt sur cet équipement; le cordon d'alimentation secteur est la seule manière de déconnecter l'alimentation. La prise murale doit être facilement accessible et être installée près de cet équipement.

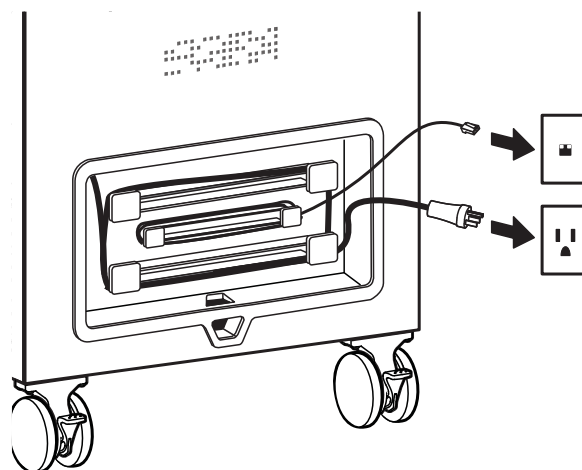
## 3 Charge initiale des batteries

Avant d'utiliser les netbooks pour la première fois ou après une longue période d'entreposage, s'assurer que les netbooks sont chargés à 100 %.

Brancher le cordon d'alimentation à un circuit dédié, (un circuit qui n'est pas partagé avec d'autres équipements).

Vérifier que la lumière bleue sur l'indicateur d'alimentation/panne sur la surface de travail est bien allumée.

Laisser les netbooks se recharger pendant au moins 2 à 3 heures avant de les retirer pour leur première utilisation.



## Surveillance de la charge des netbooks

Les lumières de l'indicateur d'alimentation/panne sur le haut de la station de travail mobile vous informent des conditions suivantes :

### Signification des signaux de l'indicateur d'alimentation/panne



Lumière bleue – Continue      Sous tension



Lumière orange – Clignotante      La température maximale a été dépassée

\* Lorsque la température recommandée est dépassée, l'alimentation du netbook est coupée jusqu'à ce que la température retombe à l'intérieur d'une plage normale de fonctionnement, auquel cas la recharge reprend.



**NOTE :** Le statut de charge de chaque netbook donné est directement visible sur les netbooks lorsqu'ils sont dans leur station d'accueil et que les portes du compartiment supérieur sont ouvertes.


# Dépannage

Problème	Cause possible	Solution
Le ou les netbooks ne se chargent pas.	L'alimentation n'atteint peut-être pas la station de travail mobile parce que <ul style="list-style-type: none"> <li>le cordon d'alimentation est débranché</li> <li>le ou les netbooks sont mal placés dans la station</li> <li>le circuit électrique est disjoncté</li> </ul>	<ul style="list-style-type: none"> <li>S'assurer que le cordon d'alimentation est bien branché à la prise murale.</li> <li>S'assurer du bon placement du ou des netbooks : la languette verte sur le bord de la station d'accueil doit être visible.</li> <li>Vérifier les disjoncteurs du site.</li> <li>Si un autre équipement électrique partage le même circuit que la station de travail mobile, débrancher l'autre équipement.</li> </ul>
La lumière orange de l'indicateur d'alimentation`panne clignote.	Indique une possibilité de surchauffe.	<ul style="list-style-type: none"> <li>S'assurer que les alentours des ventilateurs et arrivées d'air ne sont pas obstrués.</li> <li>Faites en sorte que la température de la pièce soit en dessous de 86 °F (30 °C).</li> <li>Le cordon d'alimentation doit rester branché pour que les ventilateurs continuent de fonctionner.</li> </ul> Une fois que la température a baissé à un niveau sécuritaire, la recharge reprend.

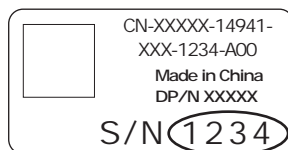
Pour tout problème non mentionné plus haut, prière de communiquer avec Ergotron, Inc., au (800) 888-8458 OU CONSULTER [www.ergotron.com/Dell](http://www.ergotron.com/Dell)

## Service et garantie

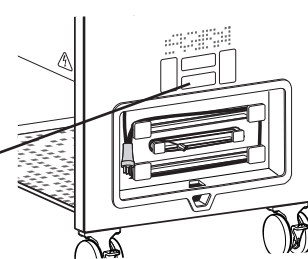
POUR LE SERVICE sur les stations de travail mobiles de DELL  
 APPELER AU (800) 888-8458 OU CONSULTER [www.ergotron.com/Dell](http://www.ergotron.com/Dell)

 **NOTE :** Lors de toute communication avec le service à la clientèle, prière de faire référence au numéro de série situé au-dessus de la baie de gestion des câbles extérieurs.

Numéro de Série: \_\_\_\_\_



Le numéro de série est requis pour avoir droit à la garantie.



## Spécifications

### Système d'alimentation

120 V~, 12 A, 60 Hz

### Dimensions physiques de la station de travail mobile

Hauteur	38.7" (982.98 mm)
Longueur	40" (1016 mm)
Largeur	24" (609.6 mm)
Poids (sans Netbooks)	230 livres (104 kg)
Capacité de poids	
Surface de travail supérieure	25 livres (11,34 kg)
Tablette inférieure	25 livres (11,34 kg)
Angle de bascule	10°

### Adaptateurs secteur (25)

Numéro de pièce Dell : UU572

### Routeur sans fil facultatif

Routeur de sécurité Linksys WRVS4400N Wireless-N Gigabit avec VPN

### Commutateur de port Ethernet facultatif -

Cisco SR224G, 24 ports, 10/100, commutateur 2-Port Gigabit + 2 mini-GBIC

### Environnement

Plage de température :

Fonctionnement de 32 °F à 86 °F (0 °C à 30 °C)

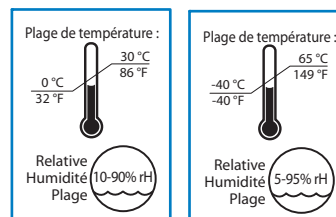
Entreposage de -40 °F à 149 °F (-40 °C à 65 °C)

Humidité relative (maximum) :

Fonctionnement 10 à 90 % (sans condensation)

Fonctionnement 5 à 95 % (sans condensation)

Altitude (maximum) : 6 562 pi (2000 m)



Opérationnel

Entreposage

# Ergonomie et Alertes de sécurité

## Déplacement de la station de travail mobile

La station de travail mobile est prévue pour usage intérieur seulement. **Le non-respect des mises en garde de sécurité qui suivent peut résulter en de graves blessures personnelles ou des dommages à l'équipement.**

**AVERTISSEMENT :** Avant de déplacer la station de travail mobile

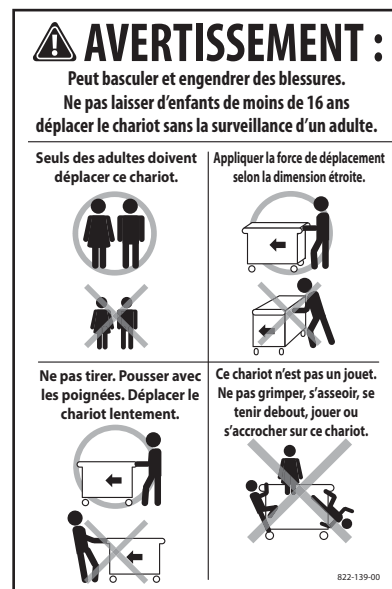
1. Débrancher les câbles d'alimentation et Ethernet du mur
2. S'assurer que les câbles sont enroulés et bien attachés
3. Fermer et verrouiller les portes des compartiments supérieur et inférieur
4. Enlever les éléments se trouvant sur la surface de travail supérieure et la tablette inférieure
5. Déverrouiller les roulettes
6. Pousser (ne pas tirer) la station de travail mobile de l'arrière (là où est située la baie de gestion des câbles) pour une manœuvrabilité maximale et pour éviter un claquage musculaire
7. Ne pas déplacer la station de travail mobile sur des surfaces rugueuses, non planes ou irrégulières, comme du gravier

**AVERTISSEMENT :** Ne pas laisser des enfants de déplacer la station de travail mobile sans être sous la surveillance d'un adulte qui est au courant de toutes les facettes de son fonctionnement.

**AVERTISSEMENT :** Ne pas s'asseoir, se tenir debout ou monter sur la station de travail mobile. La capacité portante de la surface de travail supérieure et de la tablette inférieure est de 25 lb (11,4 kg).

**ATTENTION :** Ne pas utiliser la station de travail mobile pour transporter ou entreposer de l'équipement autre que ce qui est mentionné dans ce guide.

**AVERTISSEMENT :** Ne pas lever la station de travail mobile par le bas.



## Comment garer la Station de travail mobile

La station de travail mobile peut être ancrée à l'aide des boucles de sécurité solides situées à l'arrière du chariot (près de la baie de gestion des câbles). **Le non-respect des mises en garde de sécurité qui suivent peut résulter en de graves blessures personnelles ou des dommages à l'équipement.**

**ATTENTION :** Ne pas bloquer les ouvertures de prise d'air ou de ventilation. Pour prévenir la surchauffe, laisser au moins 5" (127 mm) de jeu autour des ventilateurs et des prises d'air.

**AVERTISSEMENT :** Ne pas laisser la station de travail mobile dans des endroits avec beaucoup de circulation.

**AVERTISSEMENT :** Ne pas faire passer les câbles/cordons au travers de portes, trous dans le plafond ou planchers.

**AVERTISSEMENT :** Ne pas faire passer les câbles/cordons au travers de corridors, salles de classe ou autres endroits où ils peuvent être piétinés.

**AVERTISSEMENT :** Ne pas laisser la station de travail mobile dans des endroits sans surveillance où des enfants peuvent avoir accès.

**AVERTISSEMENT :** Garder les portes de la station de travail mobile fermées et verrouillées lorsqu'elle est laissée sans surveillance ou garée pour chargement ou entreposage.

**AVERTISSEMENT :** Ne pas placer d'objets lourds sur la station de travail mobile. La capacité portante de la surface de travail supérieure et de la tablette inférieure est de 25 lb (11,4 kg).

**AVERTISSEMENT :** Ne pas utiliser la station de travail mobile pour entreposer des liquides ou fournitures de nettoyage.

**ÉLECTRICITÉ :** Ne pas placer la station de travail mobile à proximité de liquides ou gaz inflammables

**ÉLECTRICITÉ :** L'utilisation d'un cordon d'alimentation incompatible ou le mauvais branchement du cordon d'alimentation à l'unité de contrôle de l'alimentation peut causer un incendie ou endommager l'équipement.


## Nettoyage et entretien


La station de travail mobile doit être périodiquement inspectée à la recherche de dommages, poussières et débris. **Le non-respect des mises en garde de sécurité qui suivent peut résulter en de graves blessures personnelles ou des dommages à l'équipement.**

Toutes les peintures et composants plastiques de la station de travail mobile résistent au nettoyage avec la plupart des solutions communes diluées non abrasives telles que composés quaternaires d'ammoniaque, nettoyeurs aux enzymes d'ammoniaque, solutions à base de décolorant ou d'alcool. Il est recommandé de tester tout produit de nettoyage sur une petite surface non apparente pour vous assurer de ne pas endommager la surface.


- Les marques de stylos ou de marqueurs permanents ou effaçables à sec peuvent être enlevées avec de l'alcool isopropyle à 91 % et un linge doux.
- Les taches d'iode peuvent être enlevées avec les nettoyeurs usuels et un linge doux.
- Ne jamais utiliser de laine d'acier ou autre matériel abrasif qui pourraient endommager la finition de surface.


# Ergonomie et Alertes de sécurité


 **ÉLECTRICITÉ** : Pour éviter les risques de chocs électriques, ne pas exposer les composants électriques à l'eau, les solutions de nettoyage ou d'autres substances ou liquides potentiellement corrosifs.


 **ÉLECTRICITÉ** : Ne pas immerger la station de travail mobile ou les composants de la station de travail mobile dans un liquide et ne pas laisser de liquides couler dans la station de travail mobile. Essuyer immédiatement tous les produits de nettoyage des surfaces avec un linge humide. Bien sécher les surfaces après nettoyage.


 **ÉLECTRICITÉ** : Ne pas utiliser de nettoyeurs inflammables sur la station de travail mobile à cause de la proximité d'alimentation et équipements électriques.

 **ATTENTION** : Ajustement, Service, Remplacement – Ne PAS tenter d'ajuster, réparer ou remplacer tout composant de la station de travail mobile en l'absence de demande spécifique par la documentation approuvée d'Ergotron (c.-à-d. les instructions d'installation). Seulement Ergotron, Inc., ou une entité certifiée par Ergotron peut ajuster, réparer ou remplacer des composants de la station de travail mobile. Si un composant de la station mobile de travail est manquant ou endommagé, la station de travail mobile ne doit pas être utilisée. Communiquer immédiatement avec Ergotron pour demander une pièce de remplacement.

 **ATTENTION** : Roulettes – Vérifier périodiquement les roulettes pour vous assurer qu'elles sont propres et exemptes de débris qui pourraient empêcher un déplacement en douceur. Éviter de déplacer la station de travail mobile sur des surfaces inégales, sales ou endommagées.


 **ATTENTION** : Équipement du client – S'assurer que l'équipement est bien équilibré et installé solidement à la station de travail mobile. Communiquer avec Ergotron pour obtenir de l'information à propos du déplacement des composants de la station de travail mobile.

 **ATTENTION** : La station de travail mobile doit être périodiquement inspectée par un adulte pour constater les dommages, et toute pièce brisée doit être remplacée si nécessaire. Si un enfant remarque une pièce brisée ou endommagée, il doit le porter à la connaissance d'un adulte de sorte que les pièces endommagées puissent être remplacées.


 **NOTE** : Câbles – Garder les câbles soigneusement organisés sur la station de travail mobile (différentes solutions sont fournies avec votre station de travail mobile dans ce but). Les câbles excédentaires doivent être acheminés à l'écart des pièces mobiles à l'aide d'attache-câble. Communiquer avec Ergotron pour obtenir plus d'information.

## Cordons d'alimentation électrique et câbles d'équipement


Il y a des risques spécifiques liés à l'utilisation d'équipement doté de cordons d'alimentation électrique. Il est particulièrement important d'être conscient et d'éviter ces risques quand la station de travail mobile est située à proximité d'enfants. **Le non-respect des mises en garde de sécurité qui suivent peut résulter en un incendie ou la mort par choc électrique.**


 **ÉLECTRICITÉ** : Toujours débrancher le cordon d'alimentation de la station de travail mobile de la sortie d'alimentation murale avant d'ouvrir le compartiment inférieur. Ne pas laisser des enfants ouvrir le compartiment inférieur.

 **ATTENTION** : Unité bipolaire avec fusible sur le neutre


 **ÉLECTRICITÉ** : Le port Ethernet n'est pas adéquat pour la connexion à des circuits utilisés à l'extérieur du bâtiment et sujets aux éclairs ou pannes d'alimentation.

 **ÉLECTRICITÉ** : Inspecter minutieusement le cordon d'alimentation avant chaque utilisation. NE PAS UTILISER SI ENDOMMAGÉ.

 **ÉLECTRICITÉ** : Ne pas brancher plus que le nombre de watts indiqué dans le système d'alimentation.

 **ÉLECTRICITÉ** : Ne pas faire passer le cordon d'alimentation au travers d'entrée de porte, trous dans les plafonds, les murs ou les planchers.


 **ÉLECTRICITÉ** : Enfoncer la fiche à fond dans la prise.


 **ÉLECTRICITÉ** : Ne pas enlever, plier ou modifier une quelconque broche ou tige de métal du cordon d'alimentation.

 **ÉLECTRICITÉ** : Ne pas substituer les adaptateurs secteur fournis.


 **ÉLECTRICITÉ** : Ne pas utiliser de force excessive pour brancher les connexions.


 **ÉLECTRICITÉ** : Tenir à l'écart de l'eau. NE PAS UTILISER MOUILLÉ.


 **ÉLECTRICITÉ** : Garder les enfants à l'écart du cordon d'alimentation.

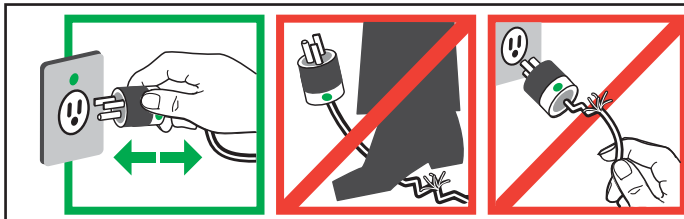
 **ÉLECTRICITÉ** : Garder les enfants à l'écart des composants internes de la station de travail mobile.

 **ÉLECTRICITÉ** : Ne pas brancher le cordon d'alimentation dans une rallonge.

 **ÉLECTRICITÉ** : Éviter la surchauffe. Dérouler le cordon d'alimentation et ne le recouvrir avec aucun matériau.

 **ÉLECTRICITÉ** : Ne pas déplacer, tirer ou placer d'objets sur le cordon d'alimentation. Ne pas marcher sur le cordon d'alimentation.

 **ÉLECTRICITÉ** : Agripper la fiche pour la retirer de la prise. Ne pas débrancher en tirant sur le cordon d'alimentation.



### DANGER!

#### Risque de choc électrique

**DANGER!** LES CÂBLES ÉLECTRIQUES PEUVENT ÊTRE DANGEREUX  
Un mauvais usage peut causer un INCENDIE ou la MORT par CHOC ÉLECTRIQUE.

### Garantie

3 ans pour les composants et fonctions mécaniques/1 an pour les composants et fonctions électriques. Tous les composants de tierces parties (commutateur Ethernet facultatif, routeur sans fil facultatif, câbles d'alimentation Dell et adaptateurs secteur) suivront les garanties définies par leur fabricant.

**SOLUTION PERSONNALISÉE POUR DELL PAR ERGOTRON**  
**POUR TOUT SERVICE APRÈS-VENTE APPELER AU (800) 888-8458**  
**OU CONSULTER [www.ergotron.com/Dell](http://www.ergotron.com/Dell)**



© 2009 Ergotron, Inc.  
Tous droits réservés.

Tandis qu'Ergotron, Inc. fait tous les efforts pour fournir des renseignements précis et complets sur l'installation et l'utilisation de ses produits, elle ne sera pas tenue responsable pour toutes erreurs ou omissions éditoriales (y compris celles qui sont commises pendant la traduction de l'anglais vers une autre langue), ou pour des dommages fortuits, spéciaux ou consécutifs de quelque nature que ce soit consécutifs à la fourniture de cette information et des performances du matériel en rapport avec cette information. Ergotron, Inc. se réserve le droit de procéder à des changements dans la conception du produit et/ou de la documentation du produit sans le notifier à ses utilisateurs. Pour l'information de produit la plus récente, ou pour savoir si ce document est disponible dans des langues autres que les présentes, veuillez contacter le Service à la clientèle d'Ergotron. Il est interdit de reproduire ou de transmettre le contenu de la présente publication, sous quelque forme ou par quelque moyen que ce soit, enregistrement sur support magnétique, reproduction électronique, mécanique, photographique, ou autre, ou de l'emmagasiner dans un système de recouvrement, sans l'autorisation écrite préalable d'Ergotron, Inc., 1181 Trapp Road, Eagan, Minnesota, 55121, USA Brevets en instance et breveté pour les Etats-Unis et l'étranger. Ergotron est une marque déposée d'Ergotron, Inc.